

## Problem Solving

Problem	Solution
No hot/cold water running when first installed	<ol style="list-style-type: none"><li>1. Check if installation is wrong (Hot/cold water pipes misconnected).</li><li>2. Check inlet filters and incoming water pressure.</li><li>3. Check if the line marked on the thermostatic cartridge for 38°C setting is moved and adjusted.</li><li>4. If above operation failed, change thermostatic cartridge.</li></ol>
Very low flow or no flow	<ol style="list-style-type: none"><li>1. Check if water pressure is normal.</li><li>2. Check hot and cold water inlets and thermostatic cartridge filter if blocked with debris.</li><li>3. Turn-off the water to clean the dirt.</li><li>4. Change cartridges.</li></ol>
The water coming out cold for a while	Check if water pressure is normal.
Cold water tracking through the valve into the hot water system	Check and clean the check valve cartridges and filters located under the check valves.

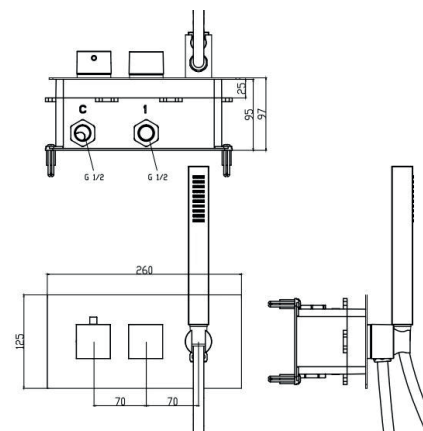


# INSTALLATION MANUAL

## 1102-45 LATUS

concealed thermostatic shower mixer including hand shower, 2/3 outlets, chrome

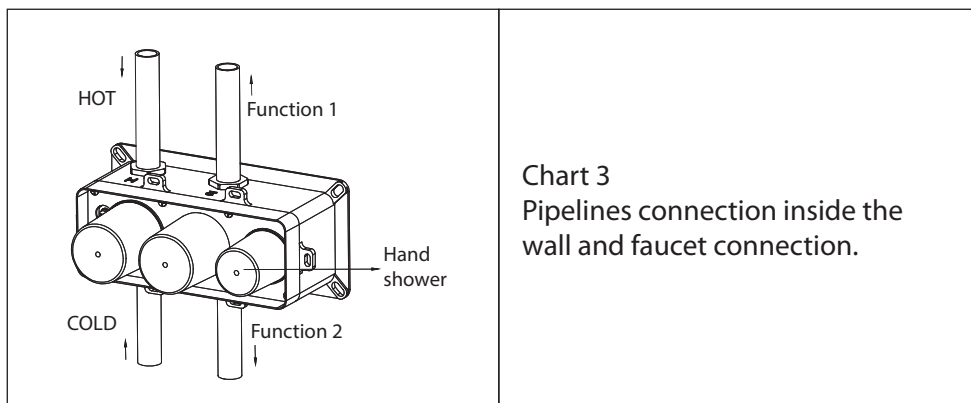
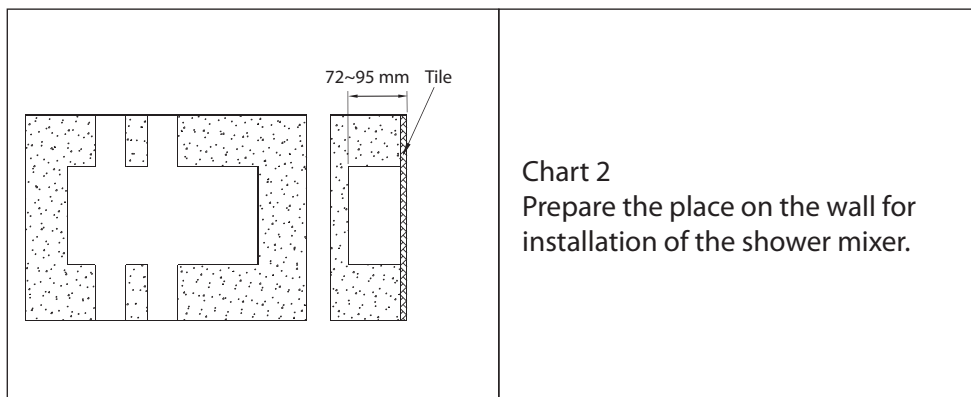
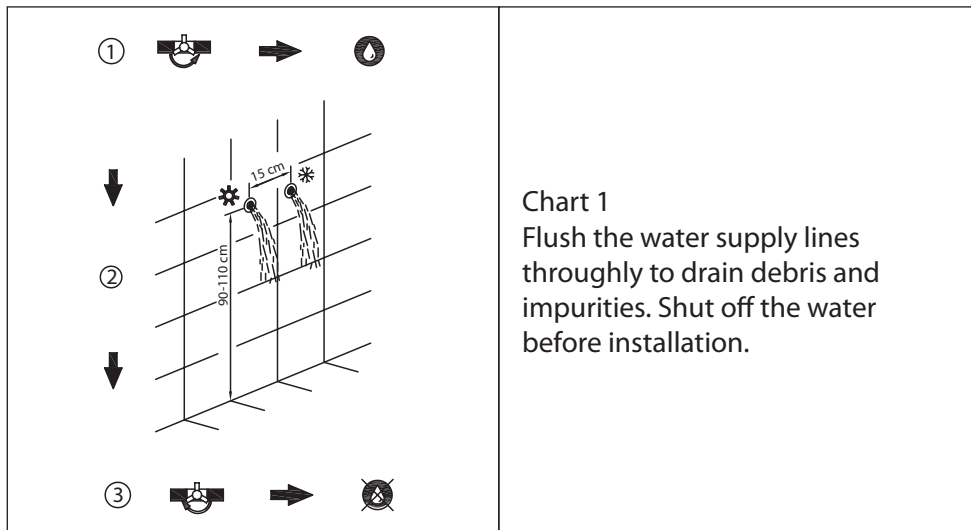
### 1. Prepare pipelines connection according to the real product



UBC s.r.o.  
Mělnická 87, 250 65 Bořanovice, Pakoměřice, Czech Republic  
IČ: 27146987 | DIČ: CZ27146987

Tel.: +420 283 090 760 | Fax: +420 283 090 761  
E-mail: info@sapho.cz | Internet: www.sapho.cz

## 2. Installation



## 4. Maintenance

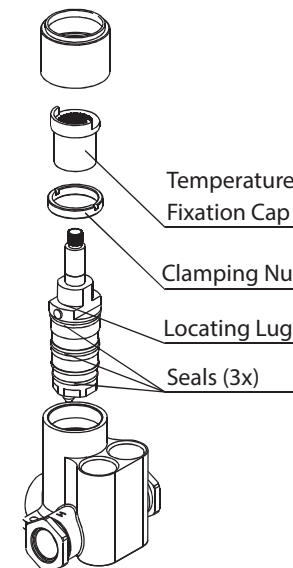
To avoid damage, please remove all chrome parts before any maintenance takes place.

In case of failure, maintenance is very simple. Loose the cartridge clamping nut and pull the cartridge out with hands (If the cartridge is very tight inside, use tools like pliers).

Wash the cartridge with vinegar and clean running water and make sure that any trapped debris has been removed. Dry and lightly grease the seals (use only silicone grease) and insert the cartridge.

Insert the cartridge in the correct position. Before installation handles and plate again, test with thermometer if 38°C temperature is correct.

In case the cleaned cartridge is failed, replace the new thermostatic cartridge in the same way.



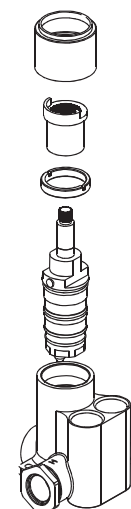
### Maintenance of filter/Stop Valve

Function of the stop valve is to stop water backflow and water shut from water inlet supply for easy maintenance.

Stop valve clean.

Remove all the stop valve parts according to the chart.

Wash the filter and lightly grease the seals and put them back.



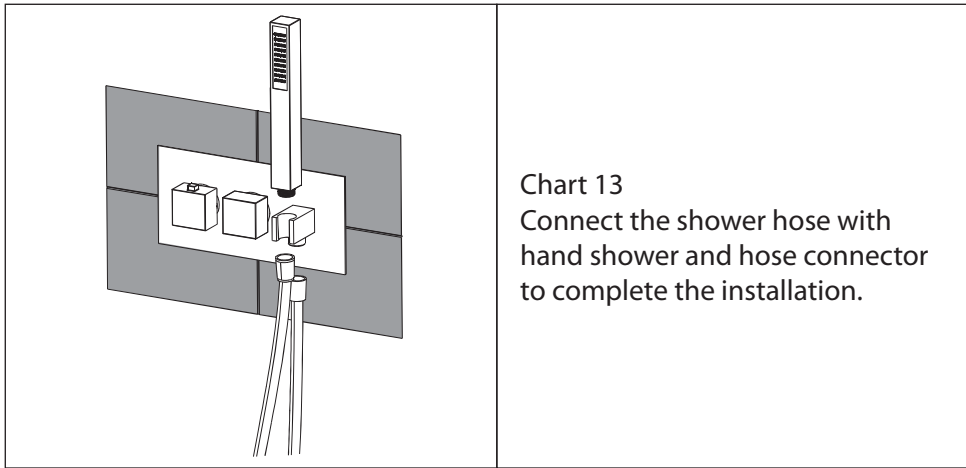


Chart 13  
Connect the shower hose with hand shower and hose connector to complete the installation.

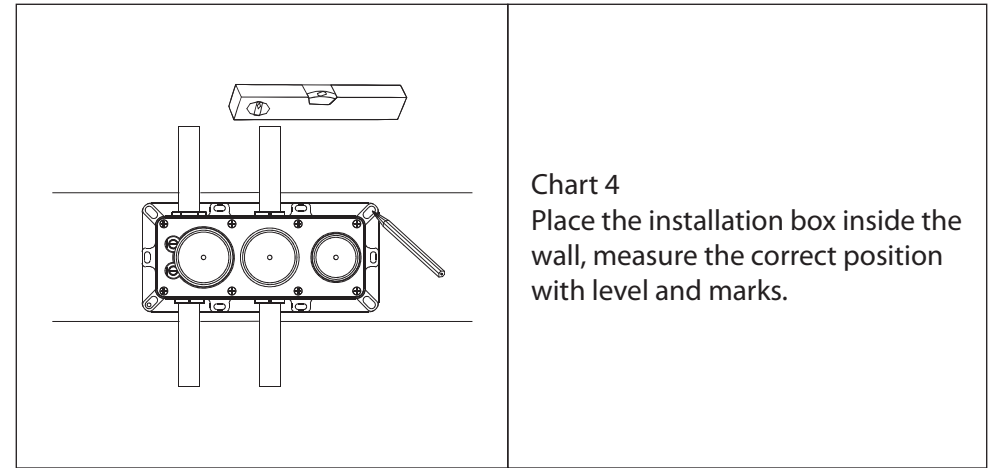
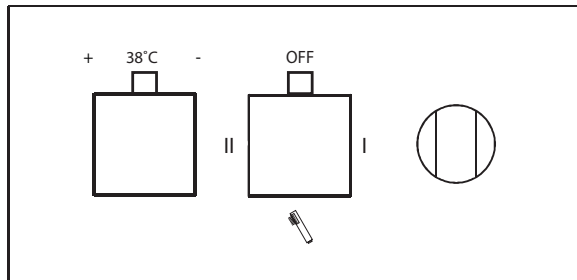


Chart 4  
Place the installation box inside the wall, measure the correct position with level and marks.

### 3. Function



Push and turn left

#### Temperature setting and adjustment

38°C is set in the factory. Temperature tolerance: 2°C

Clockwise rotate the handle for cold water and anticlockwise rotate for hot water.

When the handle knob pointing at 38°C push the knob and turn anticlockwise to find your suitable hotter temperature.

When cold water inlet fails, the hot water will be stopped.

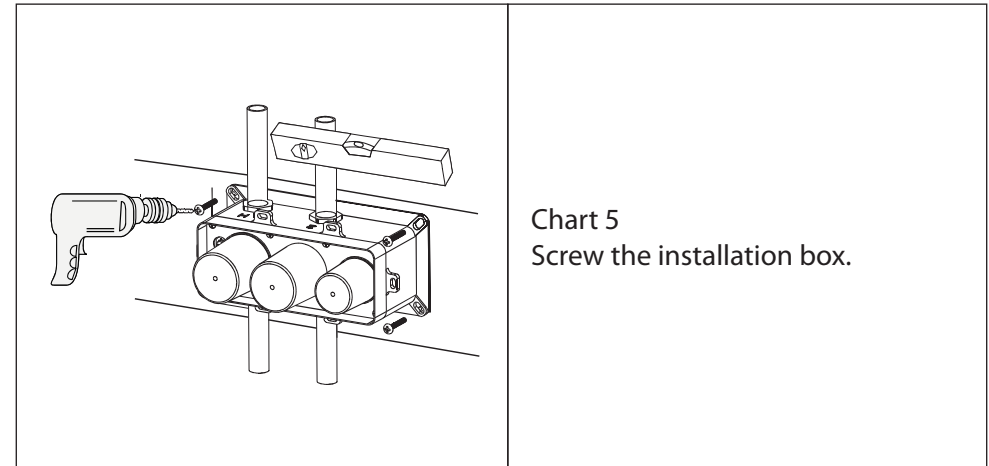


Chart 5  
Screw the installation box.

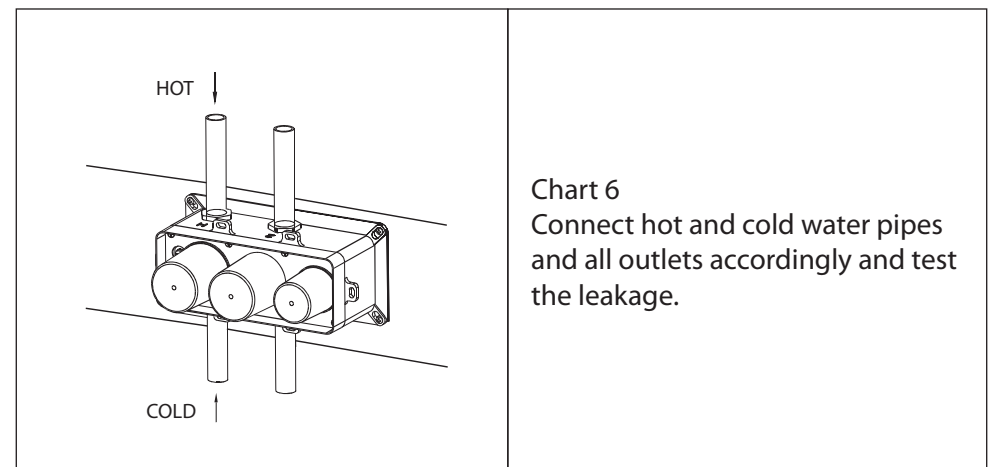
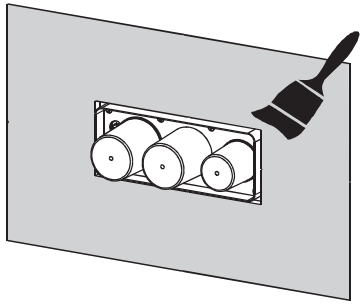
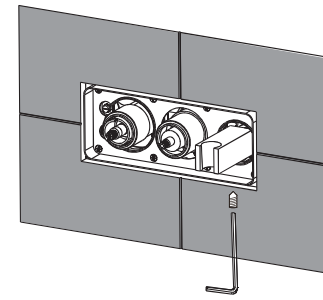


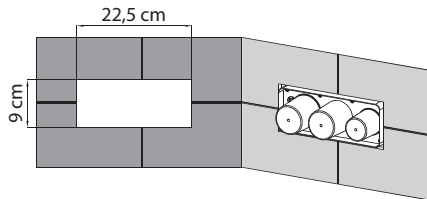
Chart 6  
Connect hot and cold water pipes and all outlets accordingly and test the leakage.



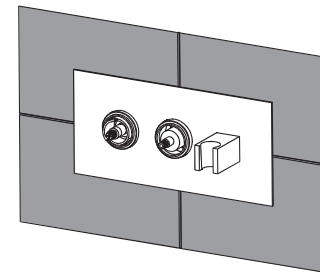
**Chart 7**  
Dry wall around the installation box and brush with water proof glue.



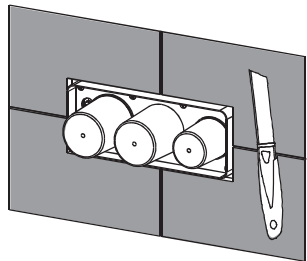
**Chart 10**  
Take away the plastic protection cups on the valve. Insert the shower holder body into the socket in the wall. Be aware of the direction and fix the holder with screw.



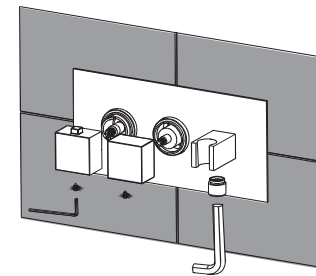
**Chart 8**  
Leave a hole on tile covering according to chart dimensions and real product size. Use silicone along the installation box to seal.



**Chart 11**  
Insert the stainless steel plate. Consider the correct direction of plate.



**Chart 9**  
Cut the excess part of installation box. Make sure there are no bump edges above tiles.



**Chart 12**  
Install the handles and connector with allen keys. Test and make sure all the functions are closed when handle is pointed at OFF position.