





## INSTALLATION INSTRUCTIONS


**Model: VE421 VEEN CLEAN**

# Safety precautions

Explanation of symbols	
 <b>DANGER</b>	Refers to potentially dangerous situation that may cause serious injury or death.
 <b>NOTICE</b>	Refers to potentially dangerous situation that may cause injury or property losses.
 <b>FORBID</b>	Refers to forbidden to do.
 <b>MUST BE ABIDED</b>	Refers to abide by the rules.

The supplier shall not be liable for any loss arising from the failure to comply with the following regulations.

1. This equipment is "I" type electric appliance, must be completed connected to the grounding system.
2. If the supply cord is damaged, it must be replaced by the manufacturer, its service agent or similarly qualified persons in order to avoid a hazard.
3. This equipment is electric appliance, please do not be installed at the place where can easily be splashed with water or high temperature. Please install exhaust fan or ventilation opening to make sure there is a good ventilation when using at Bathroom.

 **FORBID** 1. Do not insert or remove power plug with wet hands.  
Otherwise there is a risk of electric shock.



2. Do not damage the power cord and plug.  
Otherwise there is a risk of electric shock, short-circuit and fire.



3. Do not use the loose socket. Otherwise there is a risk of electric shock and fire.

4. The power supply must be accorded with regulation.  
Otherwise there is a risk of damage the product and fire.

5. Do not disassemble, repair or reassemble the product.  
Otherwise there is a risk of electric shock and fire.

6. Do not place a stove or a cigarette near the product.  
Otherwise there is a risk of fire.



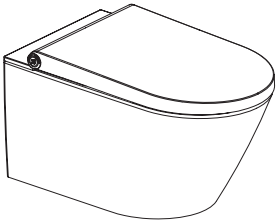
7. Make sure not to splash water, detergents or urine on the product and the power plug. Otherwise there is a risk of electric shock, damage the product and fire.

8. Do not turn the product upside-down. Otherwise this might cause product damage.

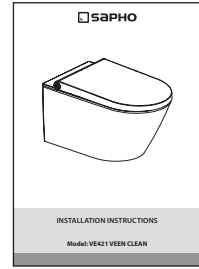
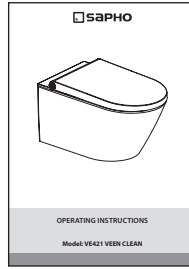


9. Do not bend or distort the inlet hose. Otherwise there is a risk of water leakage.

# Material



Host machine



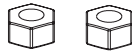
Remoter  
(without batteries)



Holder



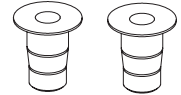
Bolt (M12)



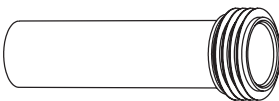
Nut (M12)



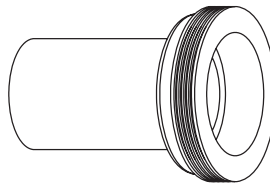
Washer



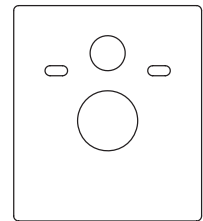
Plug



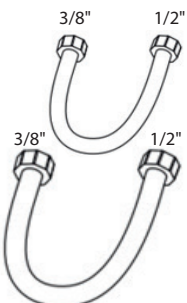
Inlet pipe with sealing ring



Flushing pipe with sealing ring



Cushion



Inlet hose



Ball valve 1/2"



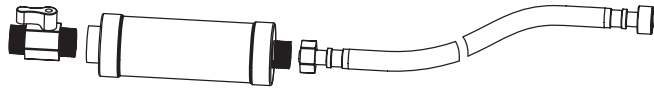
Filter



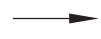
Coupler

# Filter Installation

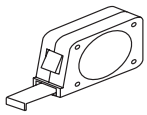
TO Water Supply



TO E-bidet



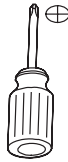
## Tools in need



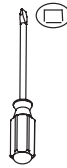
Tape line



Marker



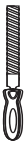
Cross screwdriver



Screwdriver



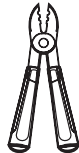
Knife



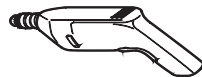
File



Adjustable wrench



Wire stripper



Electrodrill



6mm diameter drilling bit



Hacksaw



Ruler



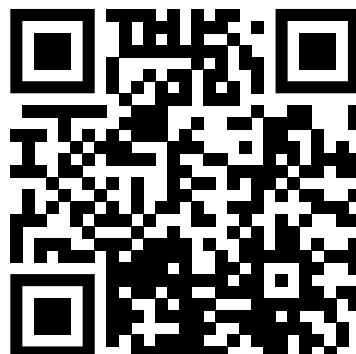
Levelling instrument



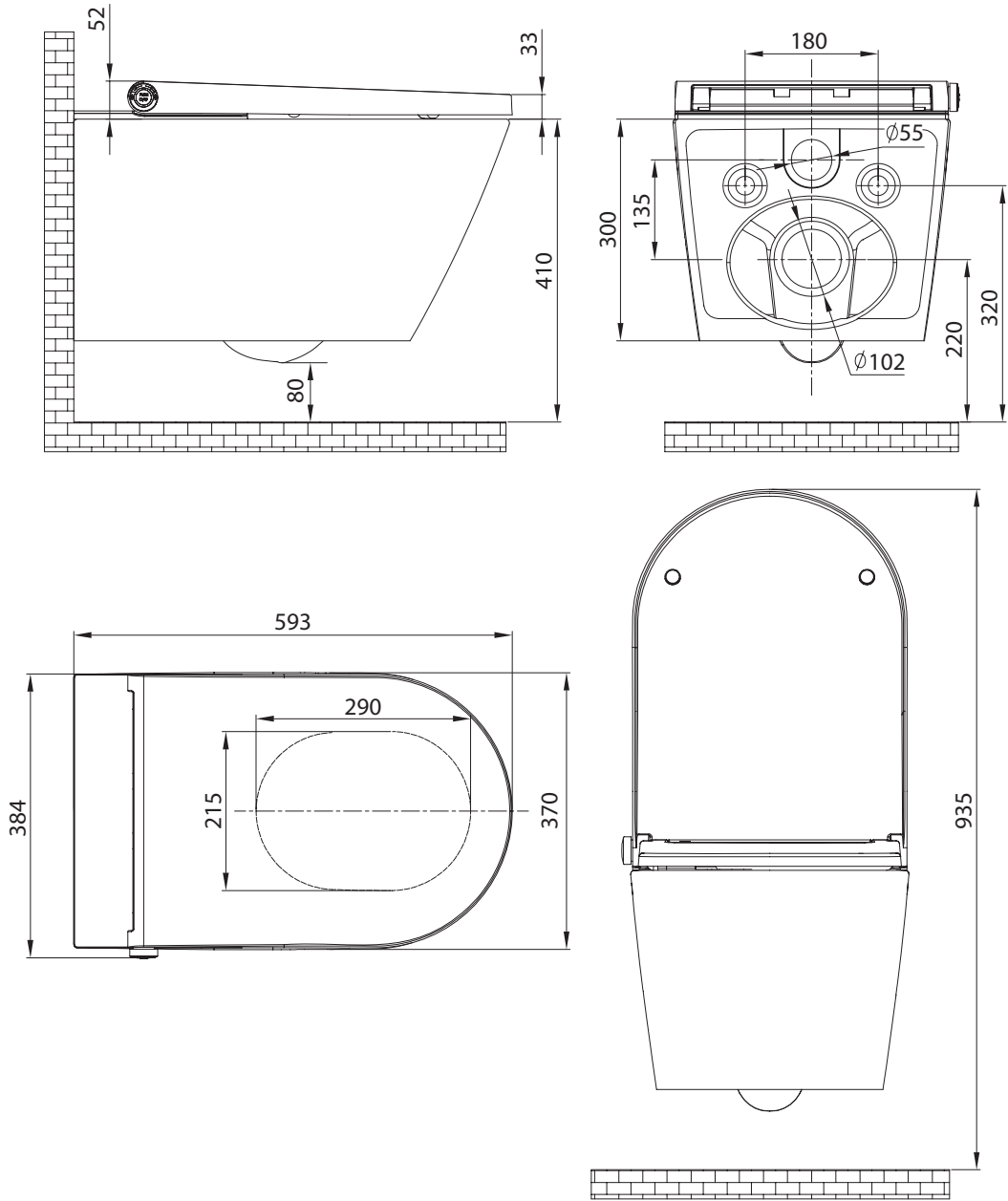
**NOTICE**

The pictures of instruction is for reference only.

INSTALLATION VIDEO

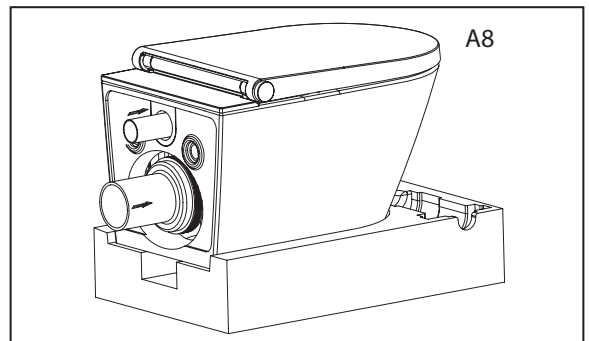
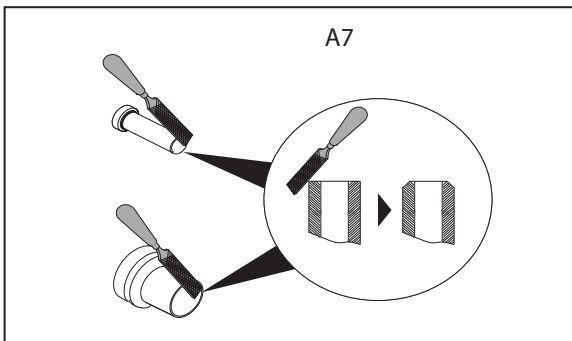
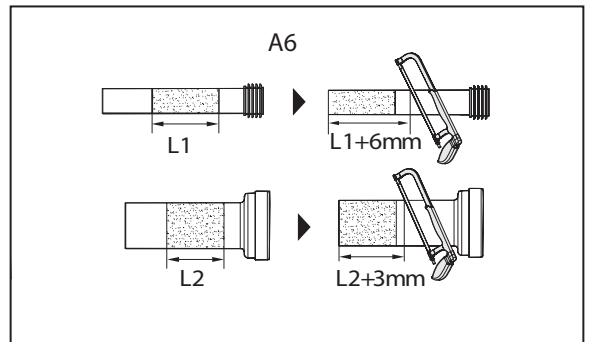
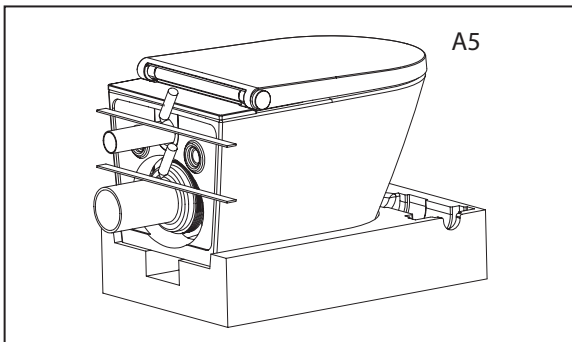
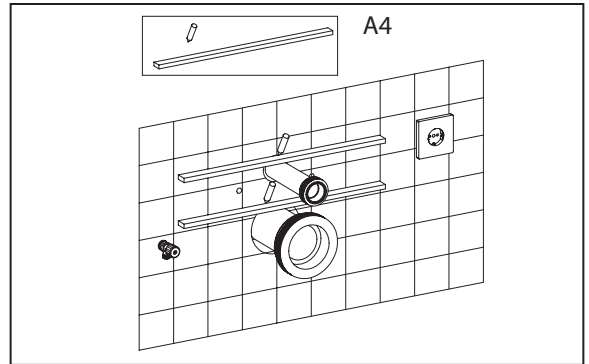
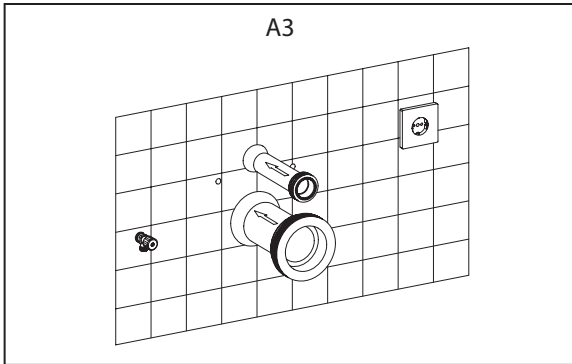
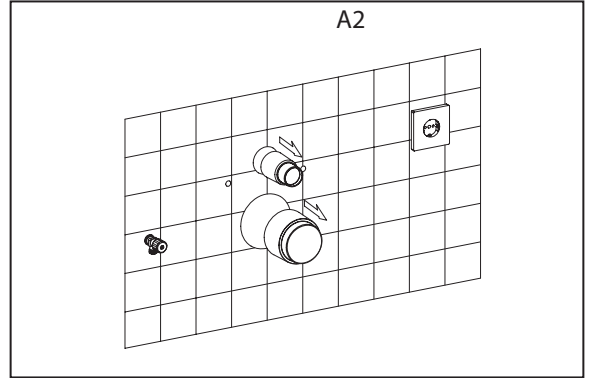
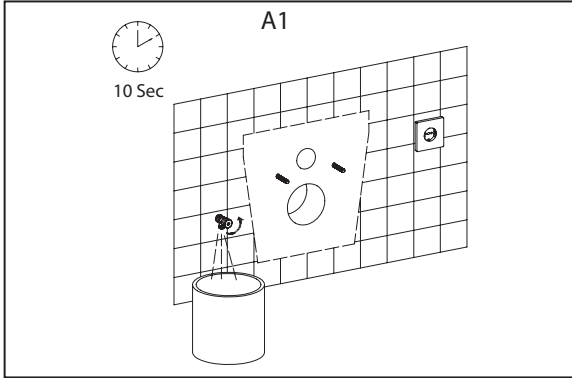
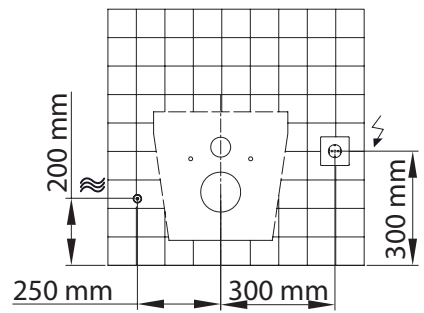


# Technical drawing

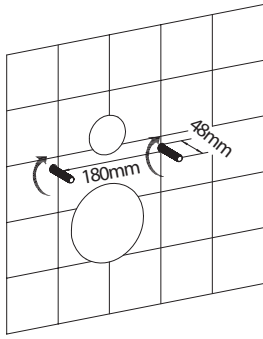


# Installation A

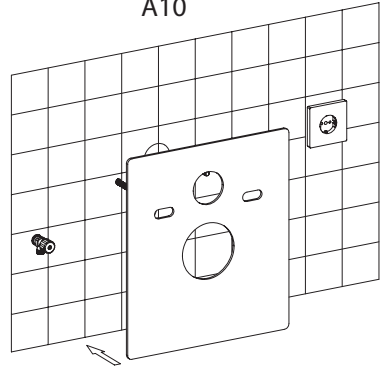
- Before installation, make sure the angle valve and power supply equipped in the toilet installation area



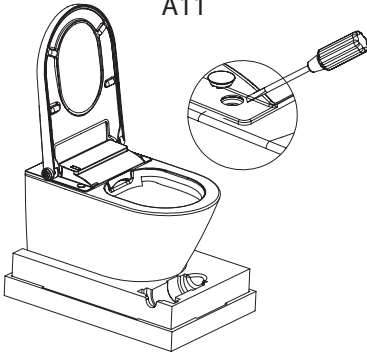
A9



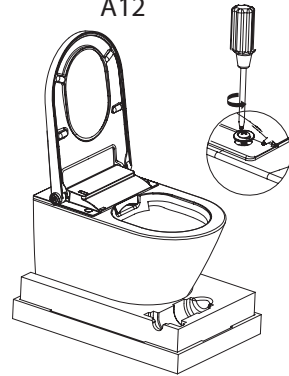
A10



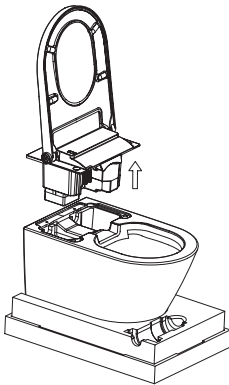
A11



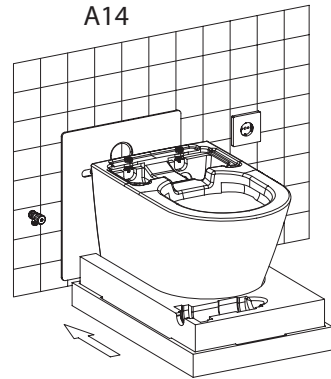
A12



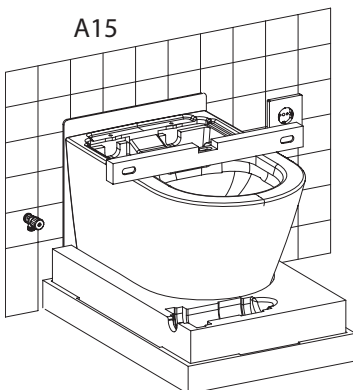
A13



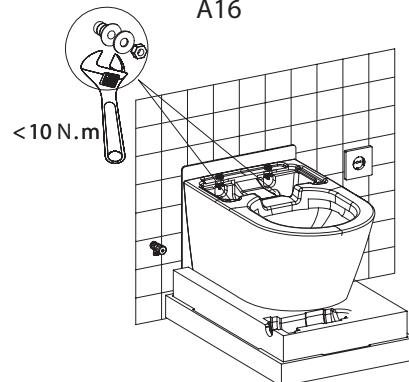
A14

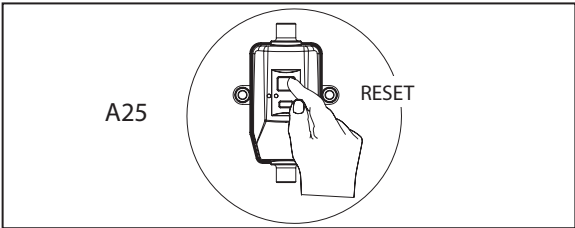
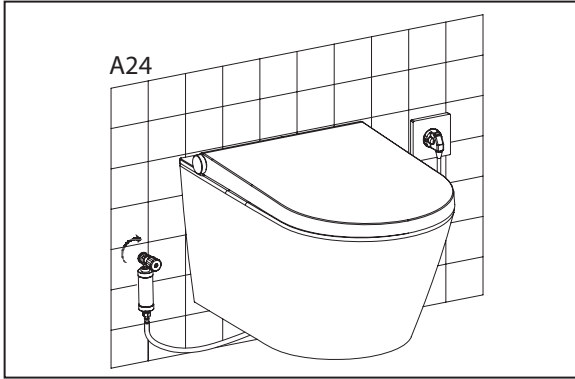
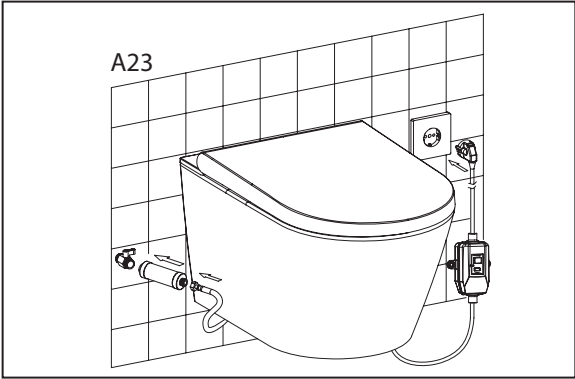
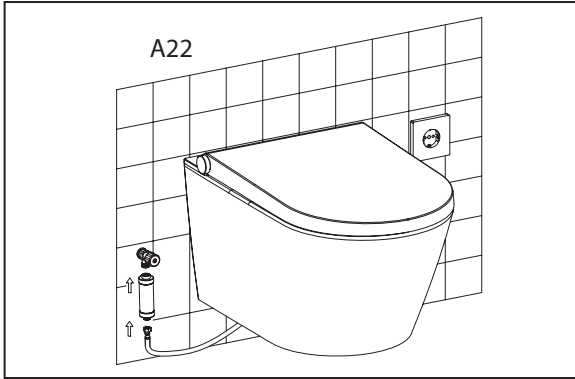
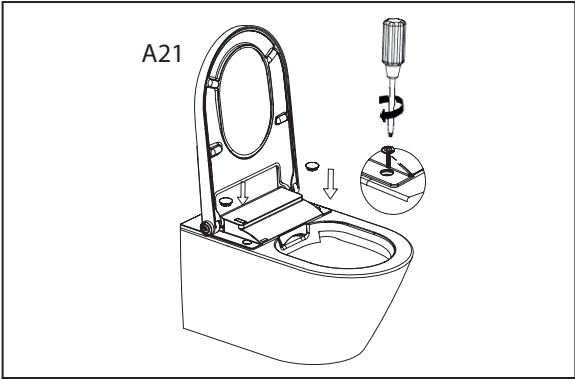
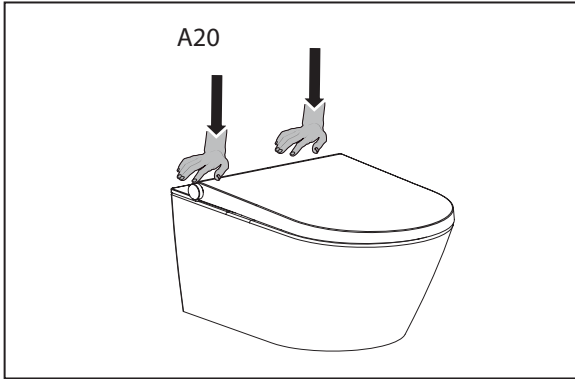
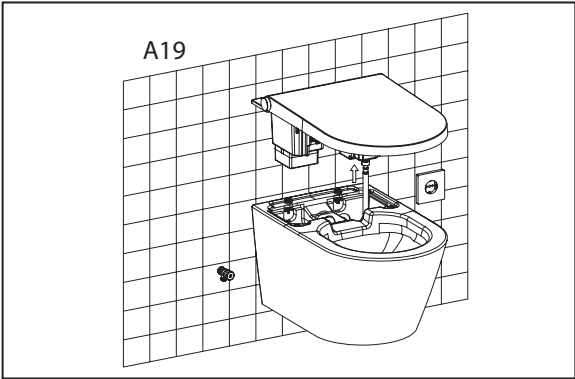
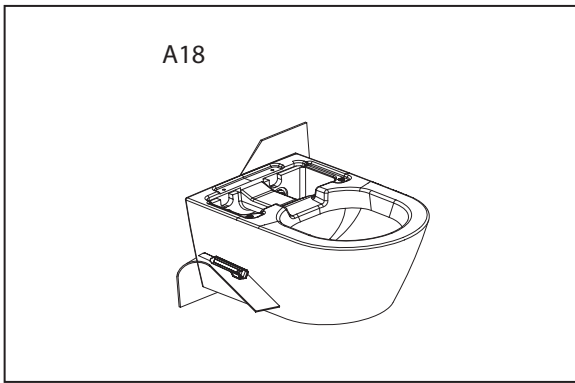
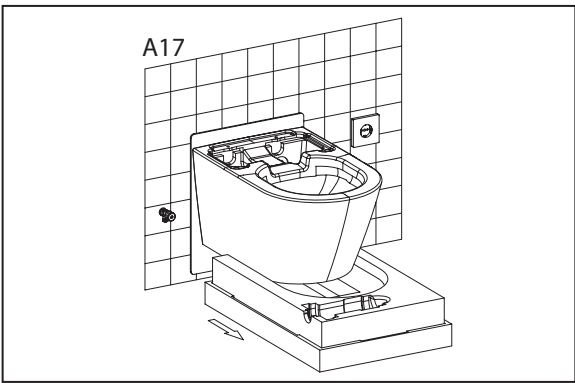


A15



A16







# Installation B



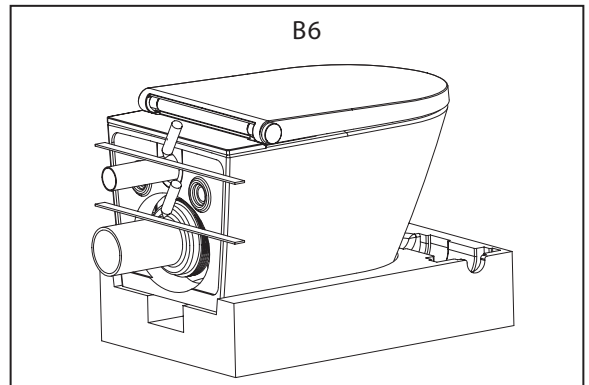
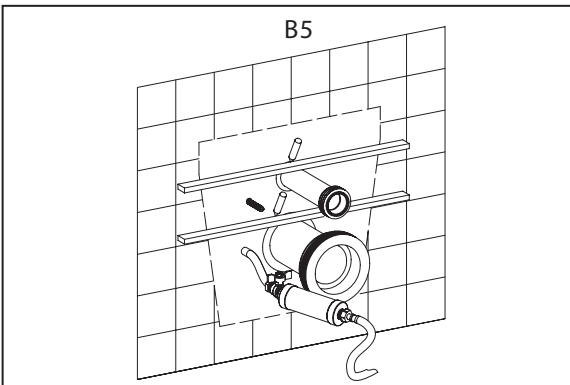
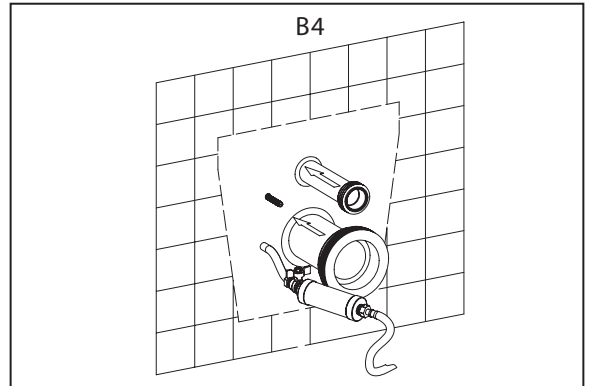
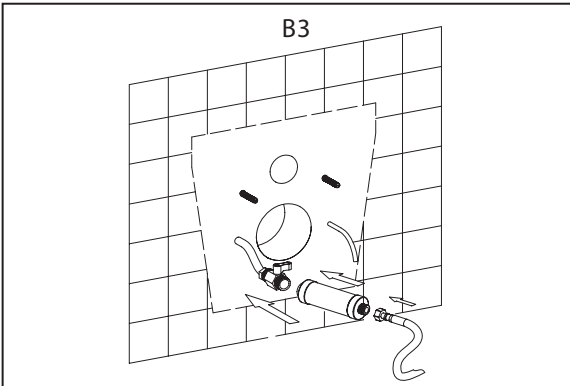
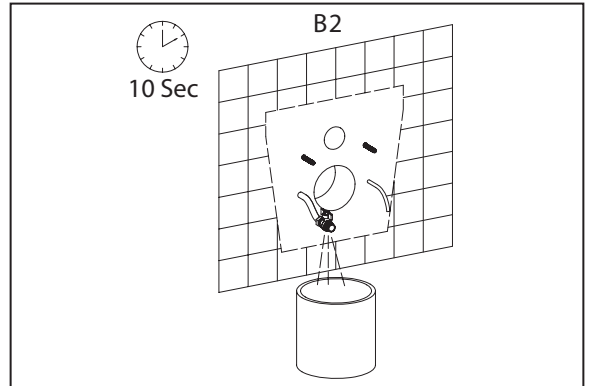
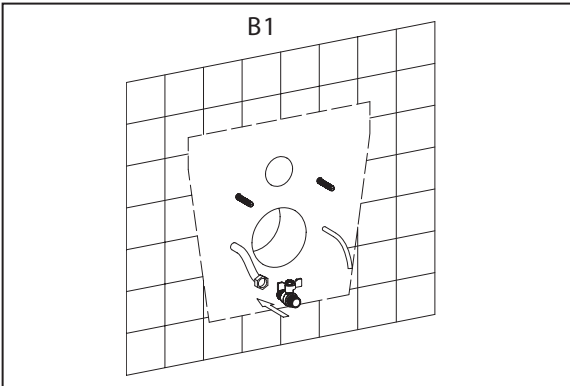
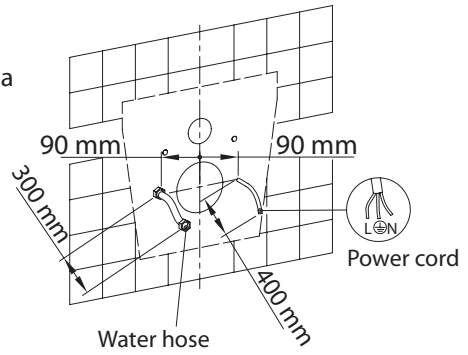
**NOTICE**

These operations should be performed by a qualified person.

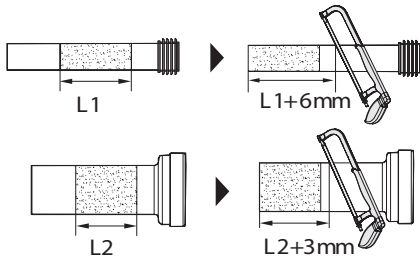


Coupler

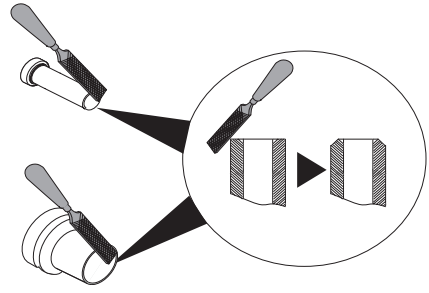
- Before installation make sure the water hose and the power cord is equipped in the toilet installation area



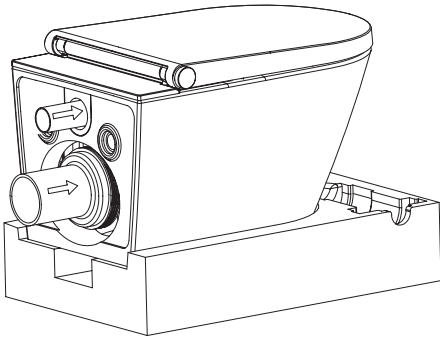
B7



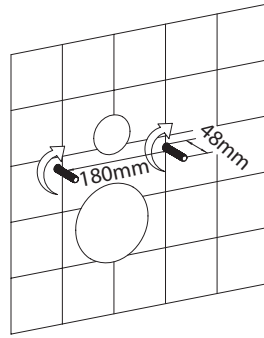
B8



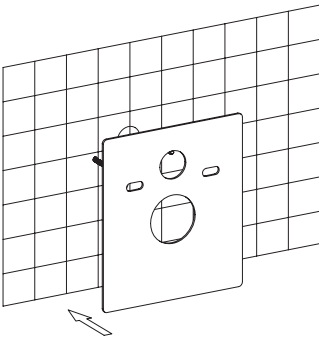
B9



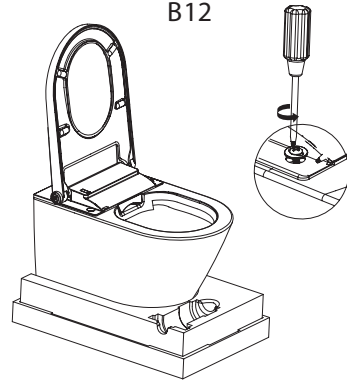
B10



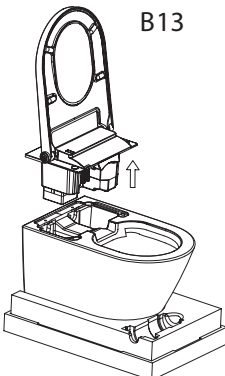
B11



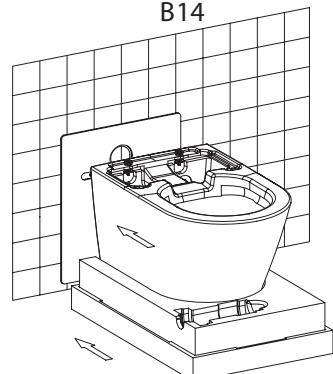
B12



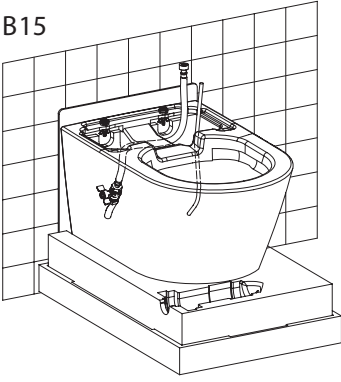
B13



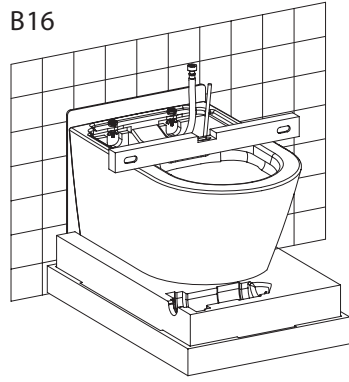
B14



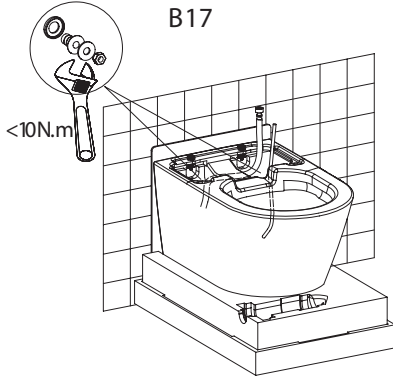
B15



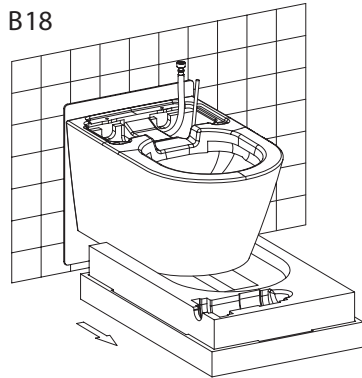
B16



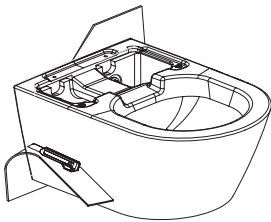
B17



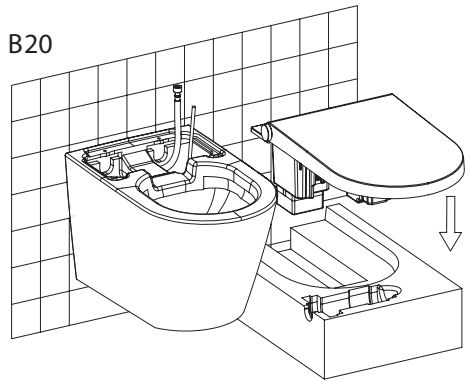
B18



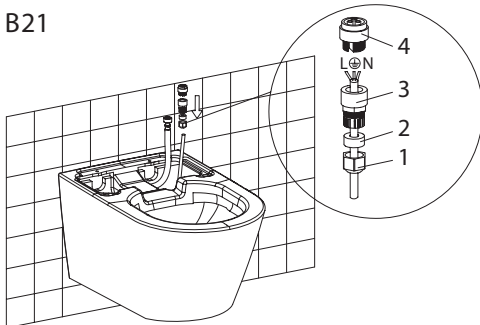
B19



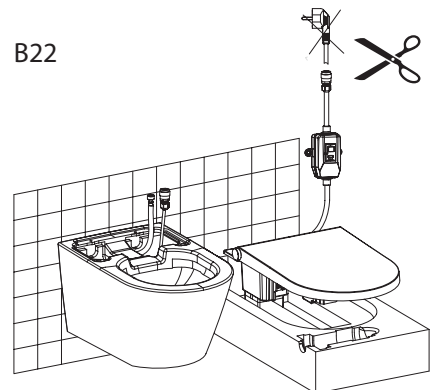
B20

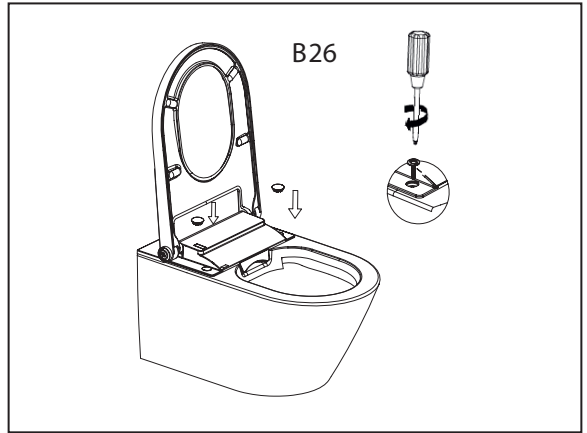
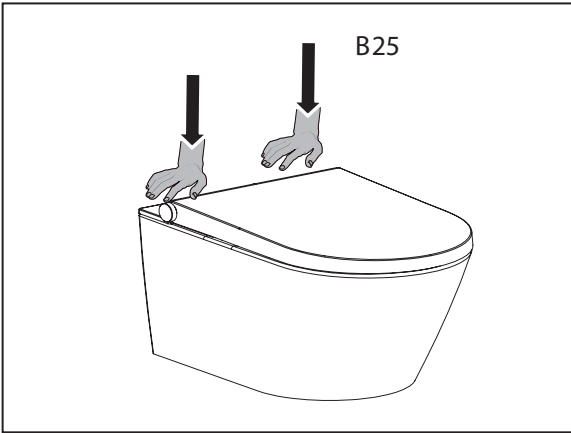
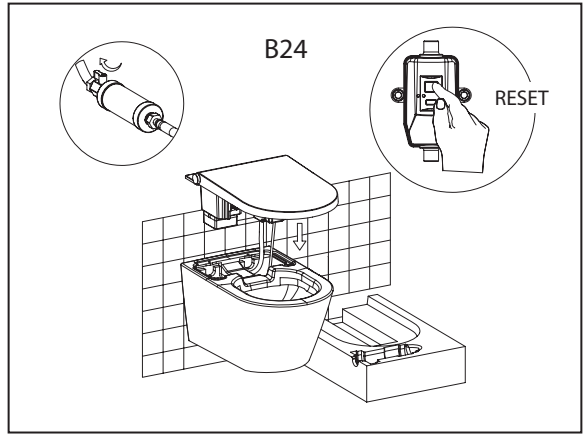
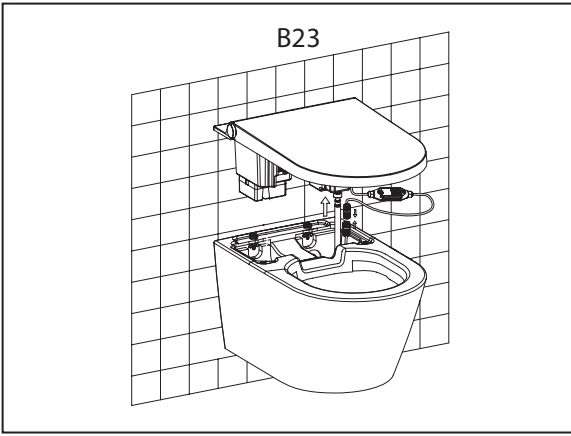


B21

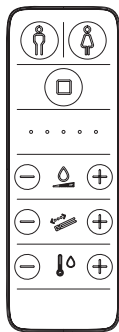


B22

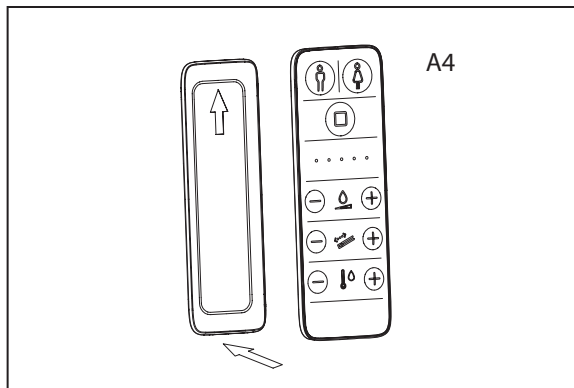
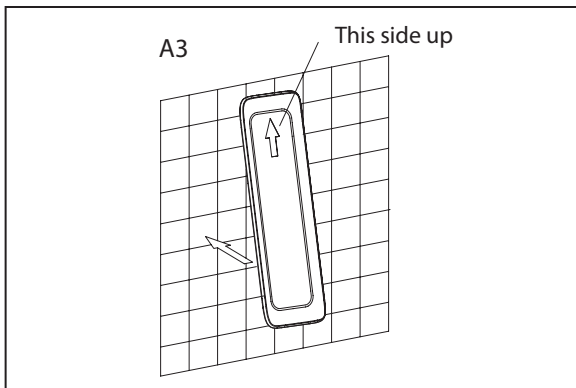
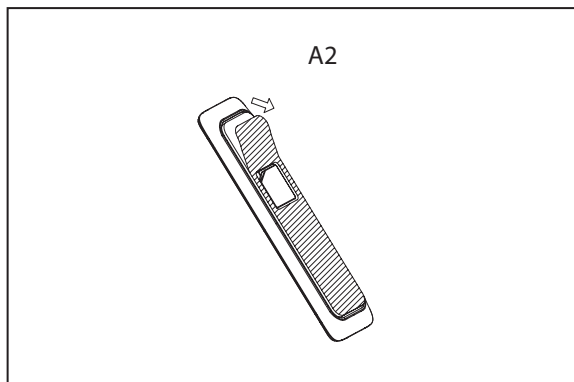
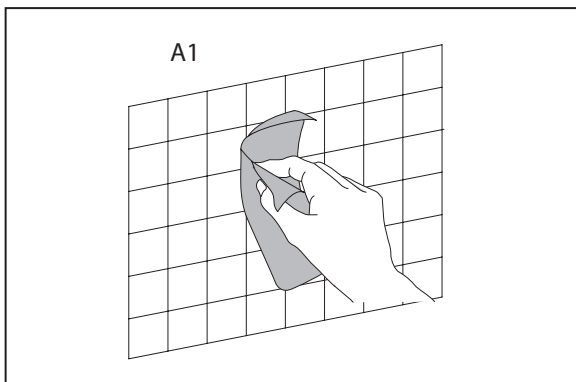
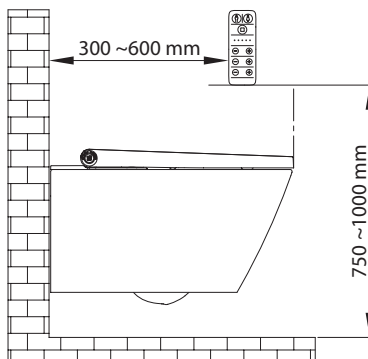




# Install the remote control



## Recommended installation area



UBC s.r.o.  
Mělnická 87, 250 65 Bořanovice, Pakoměřice, Czech Republic  
IČ: 27146987 | DIČ: CZ27146987

Tel.: +420 283 090 760 | Fax: +420 283 090 761  
E-mail: info@sapho.cz | Internet: www.sapho.cz

