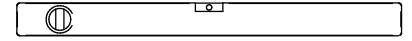
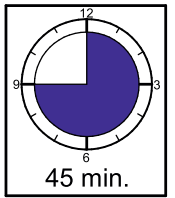
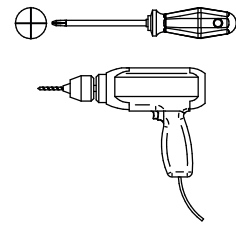
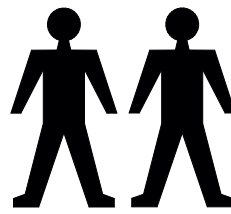
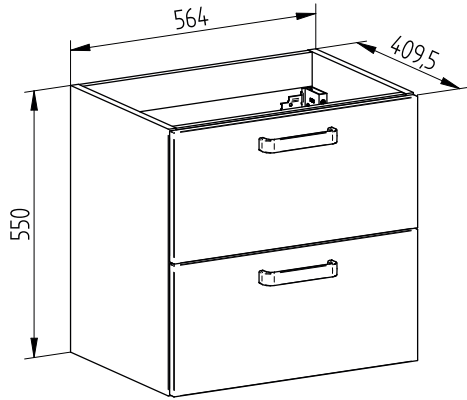


LENY

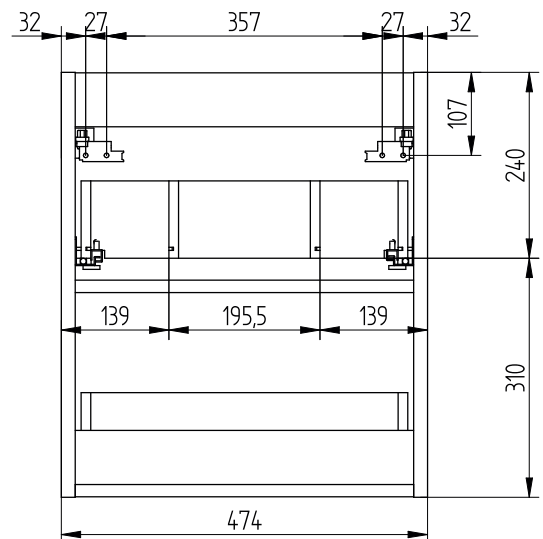
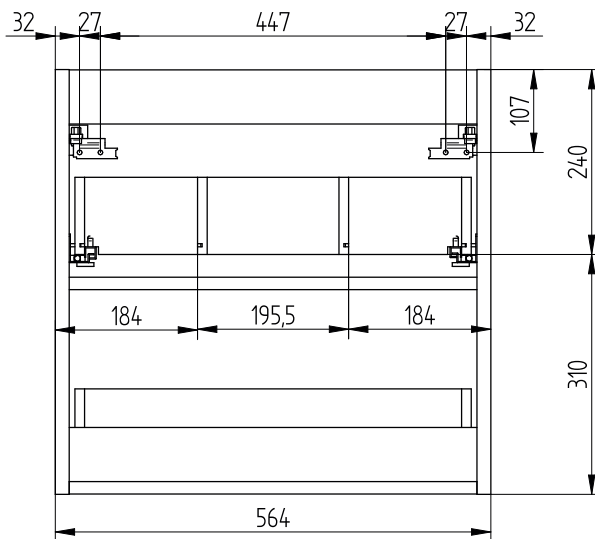
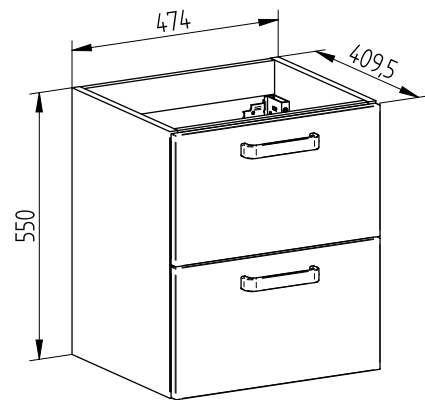


1.

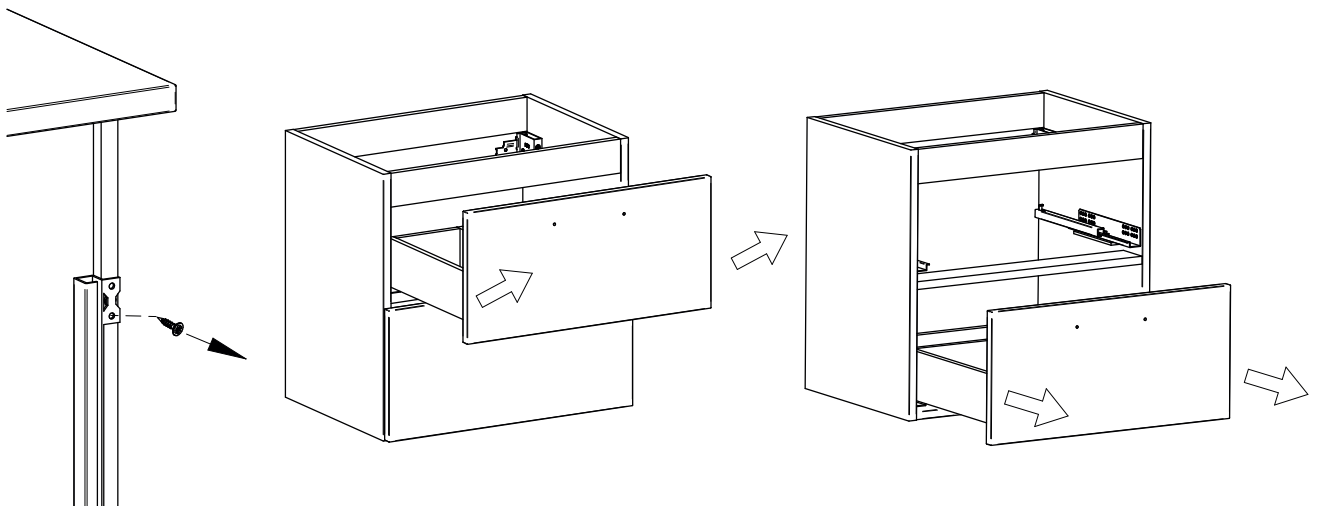
TYP 01



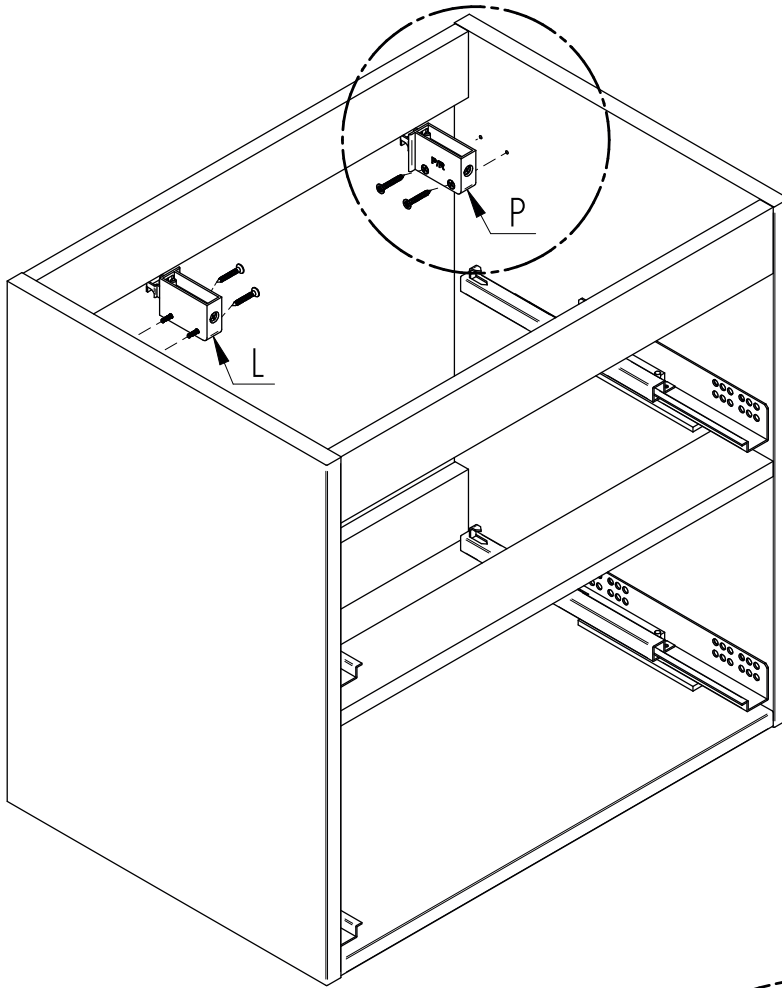
TYP 02



2.



3.

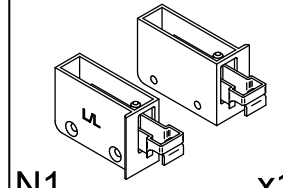


ø4x30



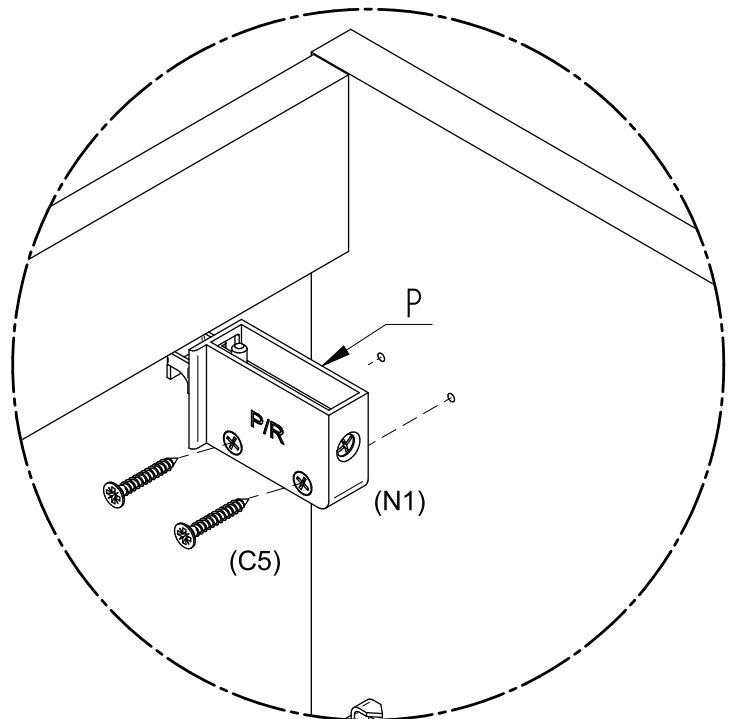
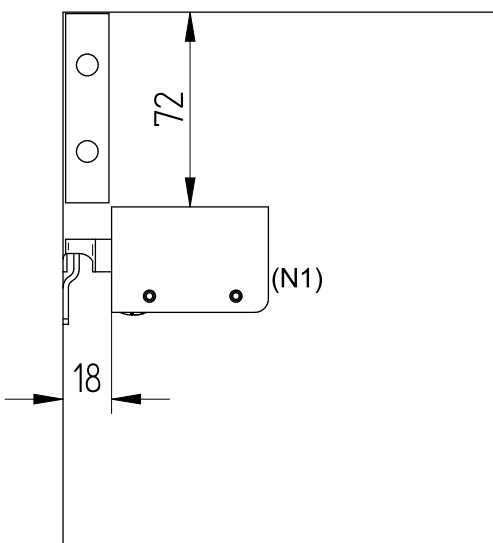
C5

x4

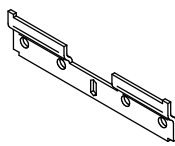
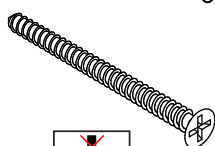
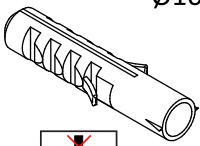


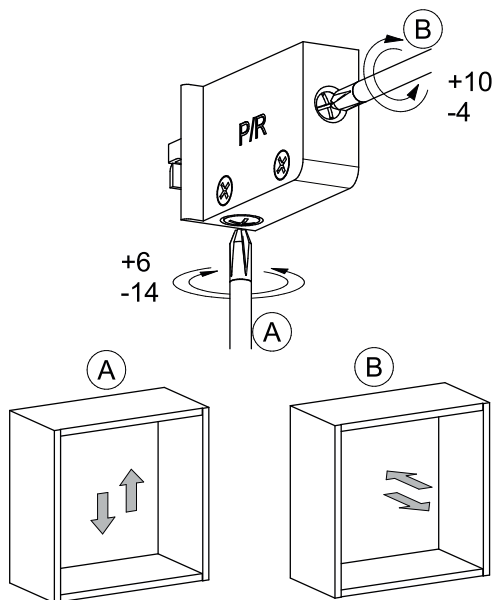
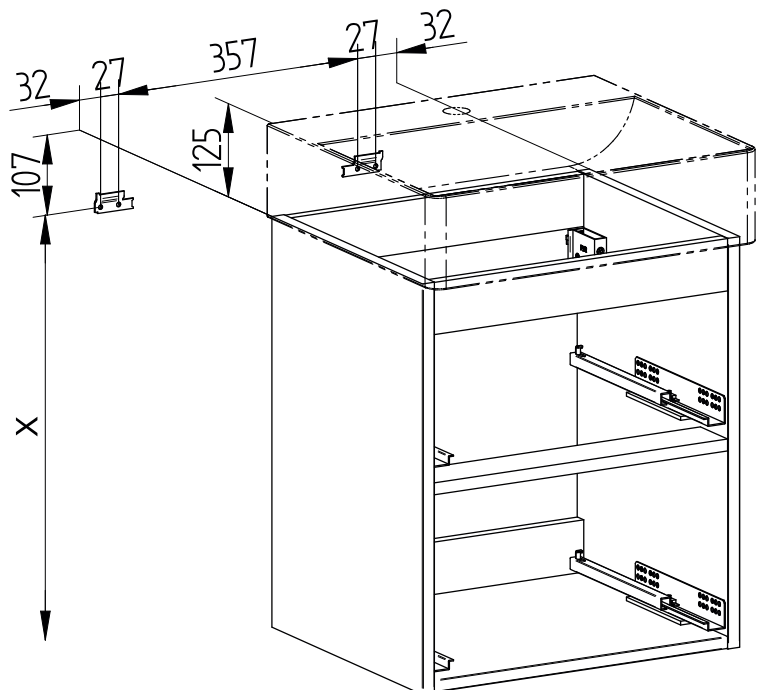
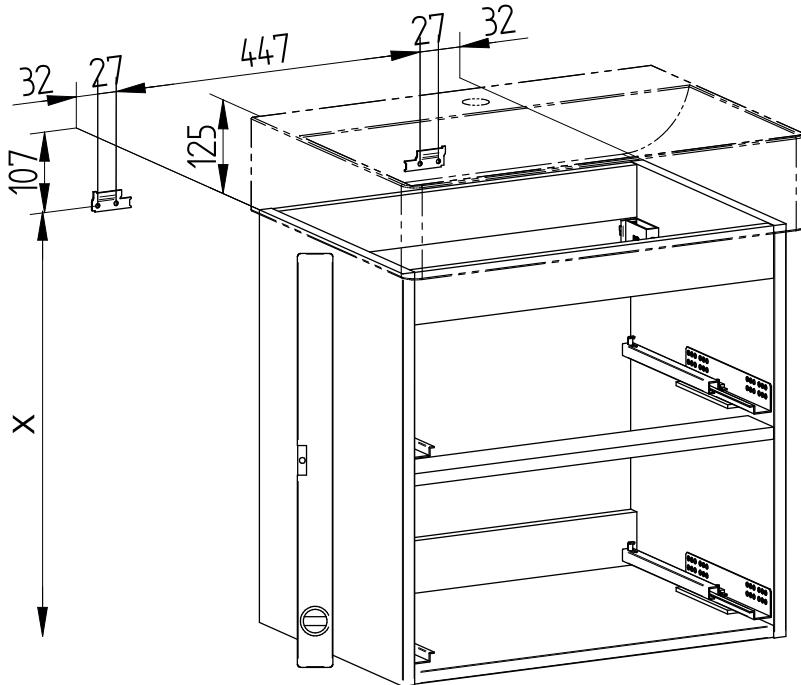
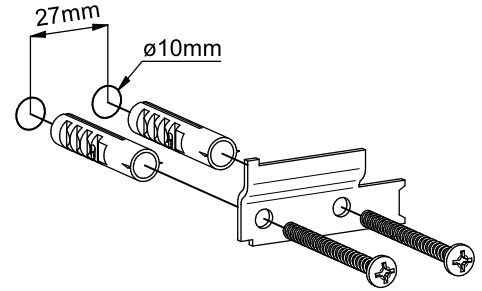
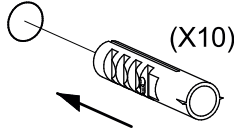
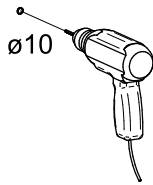
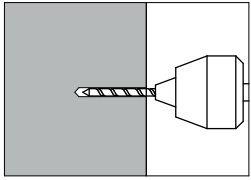
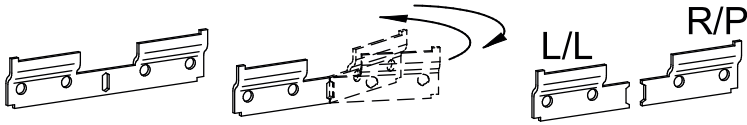
N1

x1

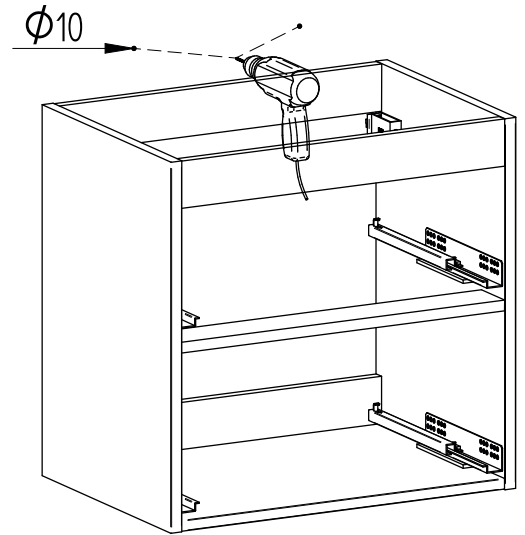
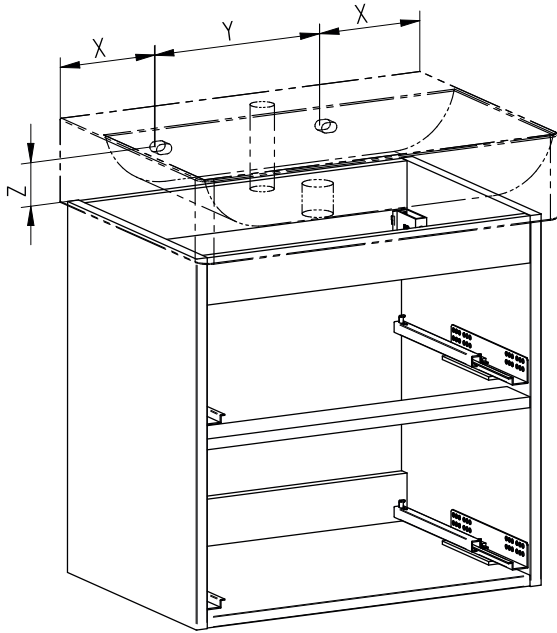


4.

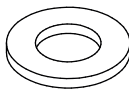

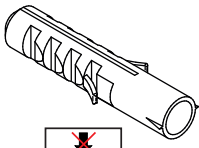

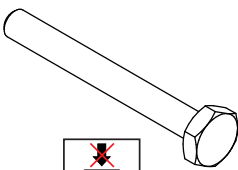

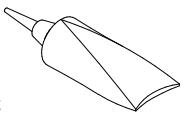

 <p>N2</p>	 <p>5x70</p> <p>x1 C33</p>	 <p>Ø10x50</p> <p>x4 X10</p>
--	---	--

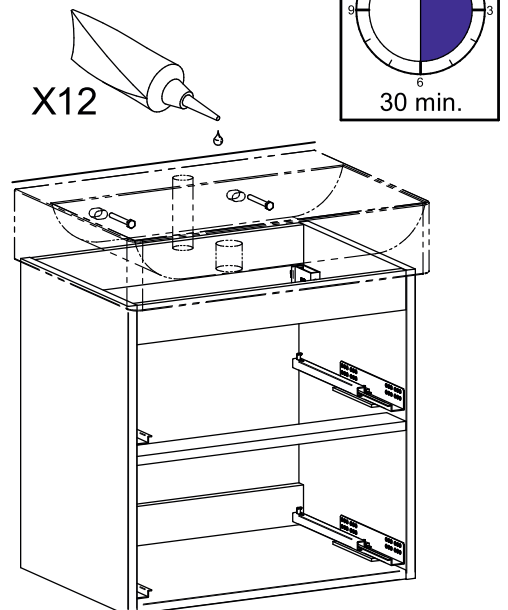
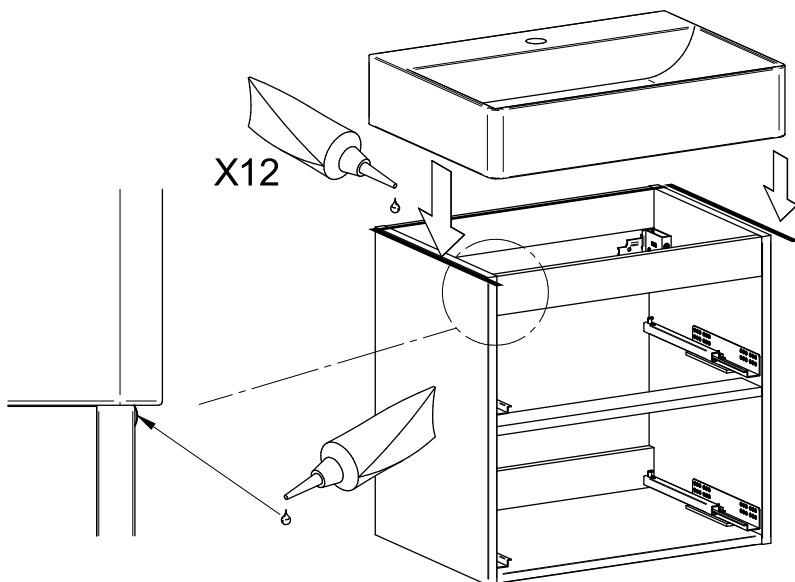


5.

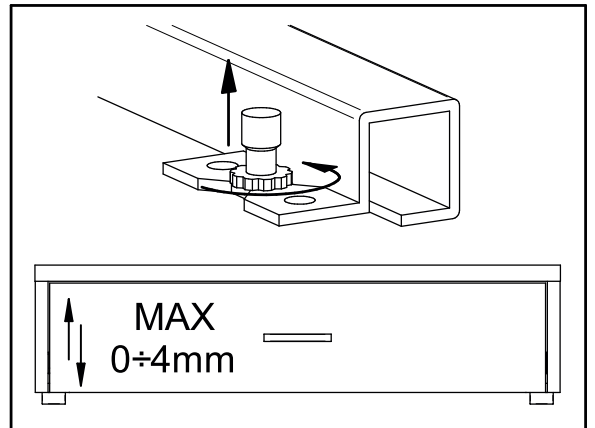
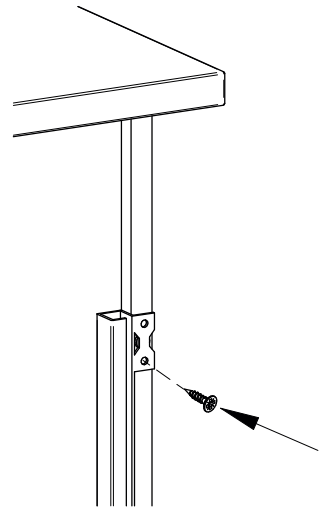
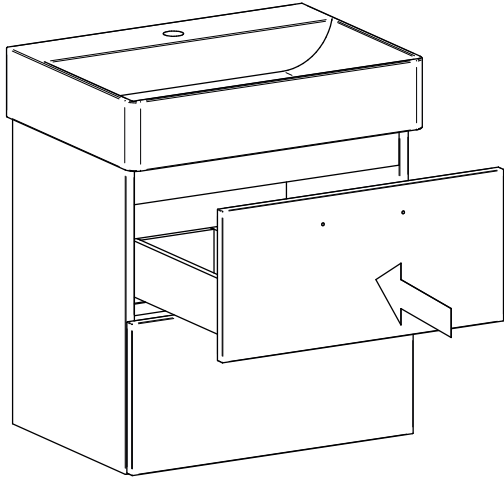
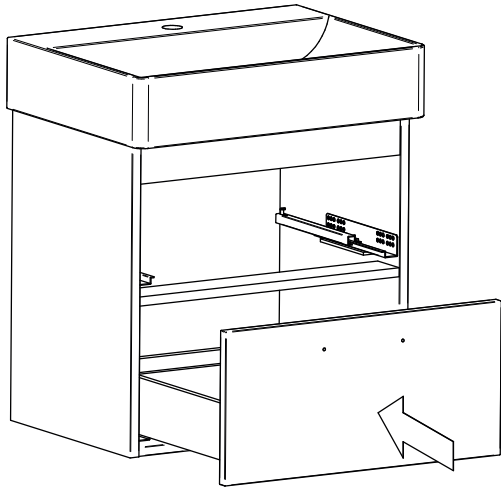


6.

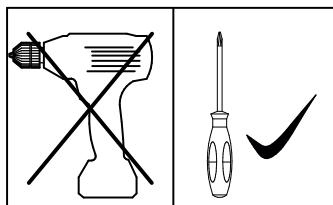
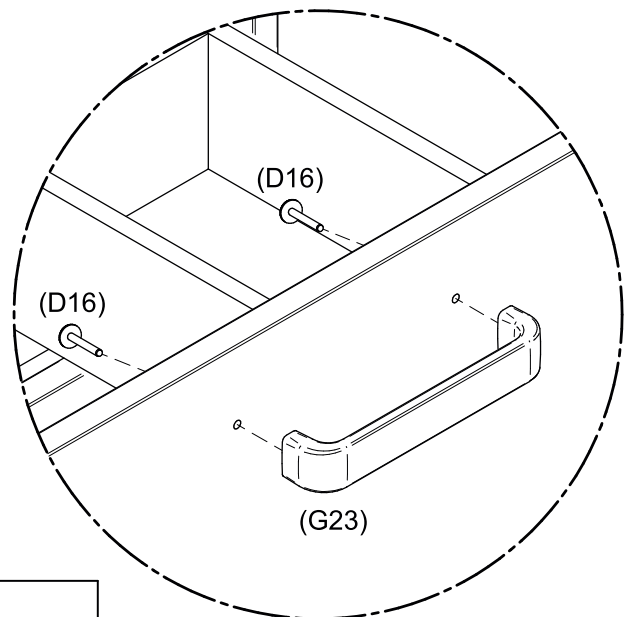
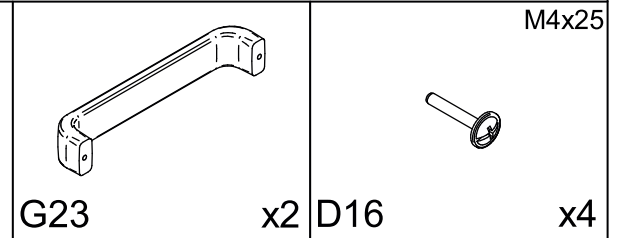
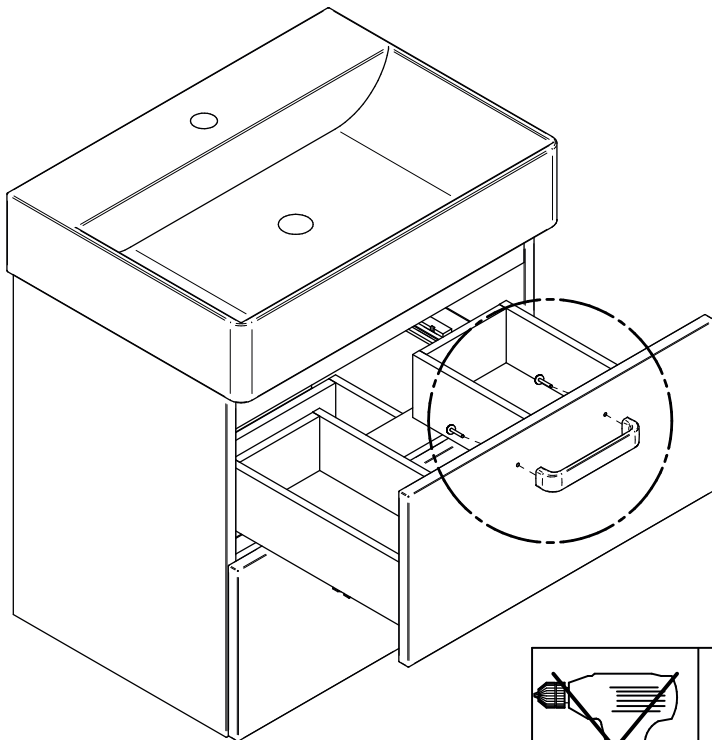
 L3  x2	 X10  x2	 D17  x2	 Silikon Silikón Silicone Silicon Silicon Silicon Siliconenkit Silicone Silicon Szilikon X12  x1
--	---	--	---



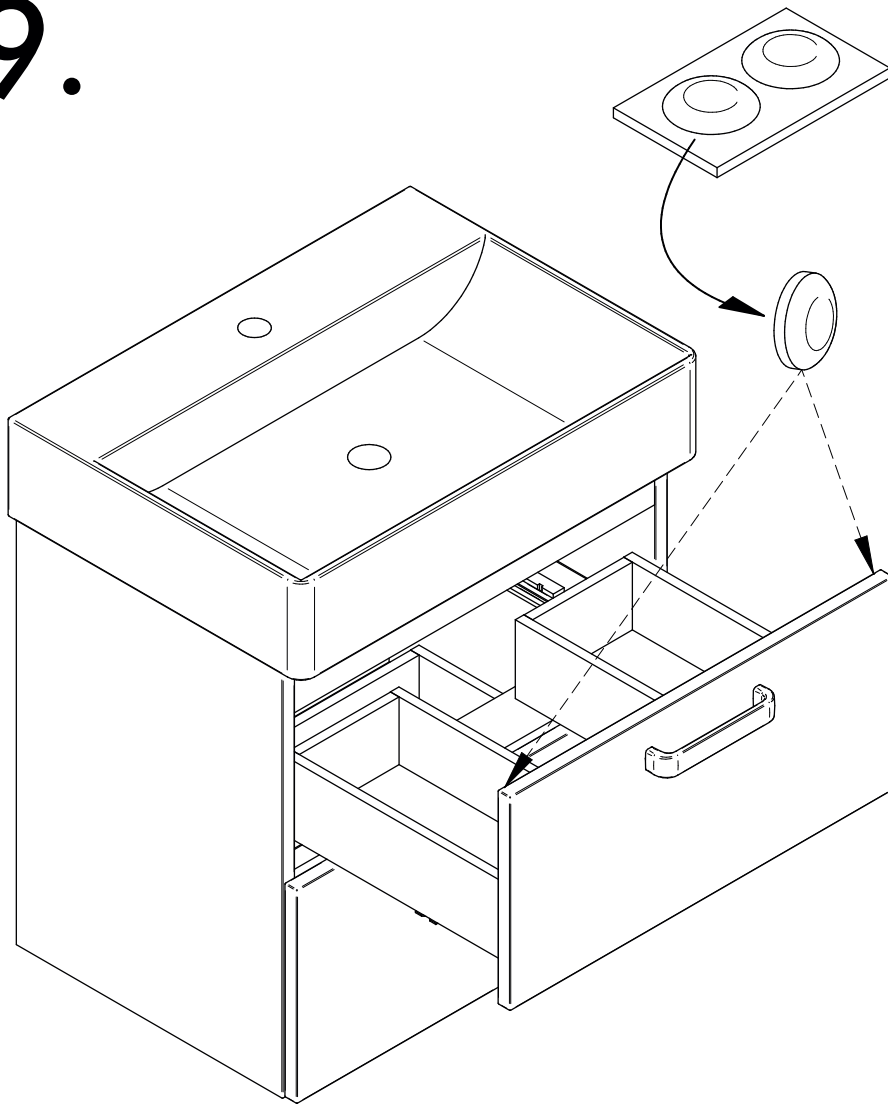
7.



8.



9.



J1

x2

